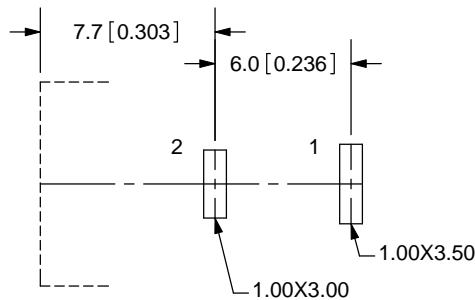
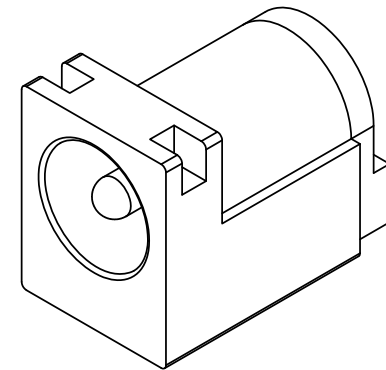
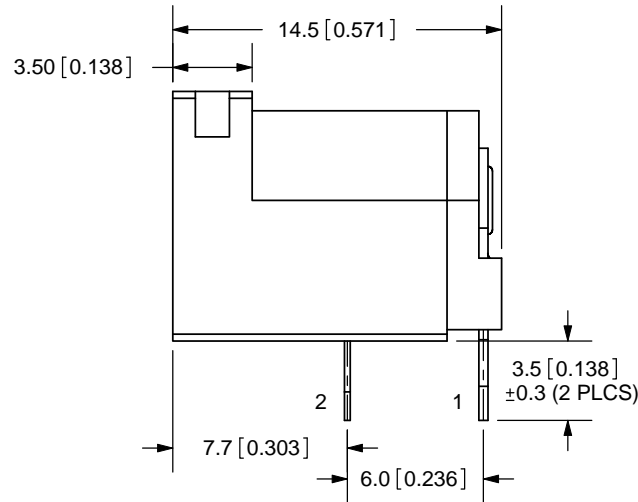
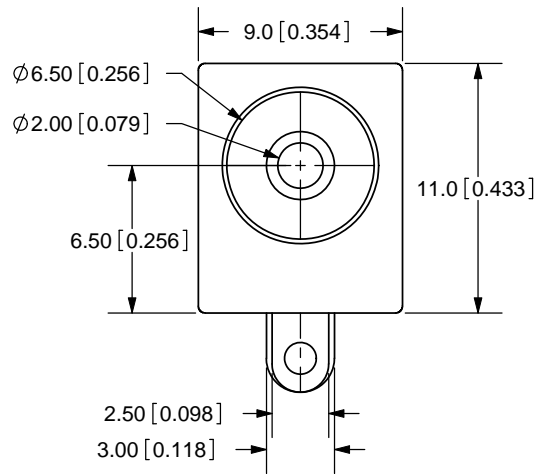
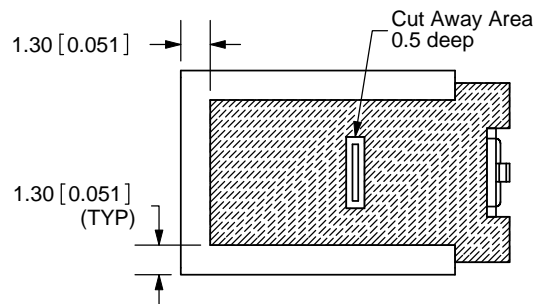


REV.	DESCRIPTION	DATE
A	NEW DRAWING	7/30/2007
B	cut away area modified	8/28/2008



PCB LAYOUT
TOP VIEW



TOLERANCE:
X.X±0.2mm
X.XX±0.1mm
X.XXX±0.05mm



MODEL NO.	PJ-037A
SCHMATIC	

CENTER PIN DIAMETER 2.00mm Dia.

SPECIFICATIONS:
 RATING: 16V DC @ 2.5A
 CONTACT RESISTANCE: 50m OHMS MAX
 INSULATION RESISTANCE: 100M OHMS MIN: 500V DC
 VOLTAGE WITHSTAND: 500V AC R.M.S. FOR 1 MINUTE
 LIFE: 5,000 CYCLES

MATERIAL	PLATING	TITLE:	REV:
CENTER PIN	Copper	DC POWER JACK	B
TERMINAL 1	Brass	PART NO. PJ-037A	UNITS: MM [INCHES]
TERMINAL 2	Copper Alloy	DRAWN BY: ZRJ	APPROVED BY:
BODY	PBT		SCALE: 3:1



20050 SW 112th Ave.
 Tualatin, OR 97062
 Phone: 503-612-2300
 800-275-4899
 Fax: 503-612-2383
 Website: www.cui.com

PC FILE NAME:
PJ-037A

COPYRIGHT 2008 BY CUI INC.